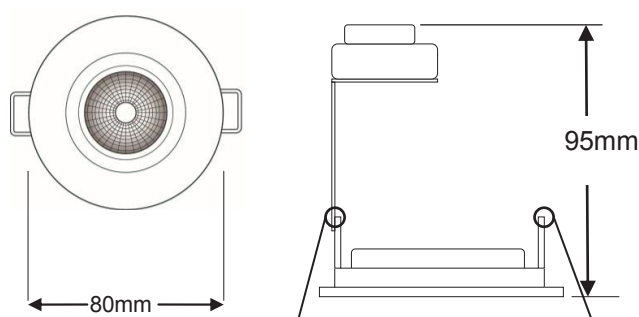


## CL02 Die-Cast Downlight



MLA part code:	CL02W1	CL02B1	CL02C1	CL02CBR1
Finishes:	White	Brass	Chrome	Brushed Chrome
Overall dimensions (mm):	80mm			
Cut out:	70mm			
Weight:	0.17Kg			
Input voltage:	12 Volt AC			
Construction:	Die Cast Aluminum			
Driver required:	Low voltage transformer required (T02)			
Class:	Class III			
IP rating:	IP20			
Life span:	See lamp			
Supplied with:	MR16 lamp holder			
Dimmable:	With a relevant dimmable driver/transformer			
Origin of manufacture:	China			
Quality assurance system:	ISO9001			
Declaration of conformity (held on file):	Yes			
Manufactured in accordance with:	EN60598			

