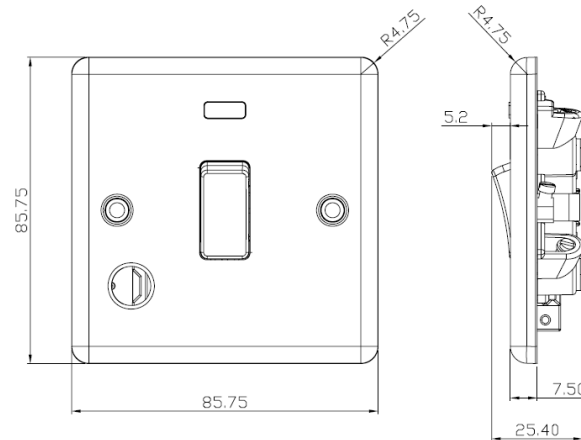
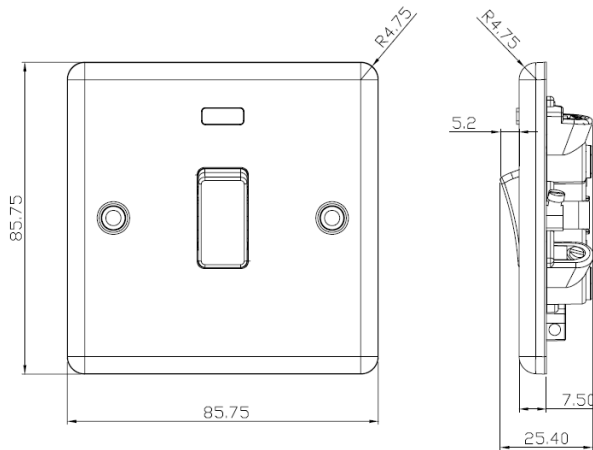


# DATA SHEET:

## Rounded edge 20A DP switches



Ideally used for a fixed appliance such as a water heater.

### Colour Insert suffix:

N/A

### Technical information

Model no.	CL834BC	CL834NBC	CL834FBC
Description	20A 1G DP switch	20A 1G DP switch with neon	20A 1G DP switch with neon and flex outlet
Unit barcode (EAN-13)	5055832910183	5055832910213	5055832910244
Dimensions (mm)	85.75 (width) x 85.75 (height) x 7.5 (projection)		
Net. Weight (kg)	0.18	0.182	0.186
Voltage	230V		
Load	20A		
IP Rating	IP20		
Neon	n/a	Yes	Yes
Double pole	Yes		
Terminal capacity	3 x 2.5mm <sup>2</sup> or 2 x 4mm <sup>2</sup>		
Standard	BS EN 60669-1		
Warranty	15 years		
Construction	Premium grade steel		
Origin of manufacture	China		
Quality Assurance System	ISO9001		
Declaration of Conformity (held on file)	Yes		

