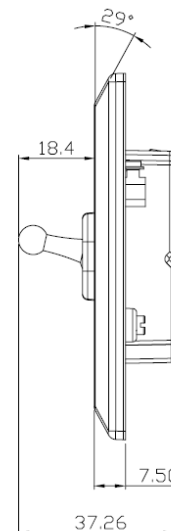
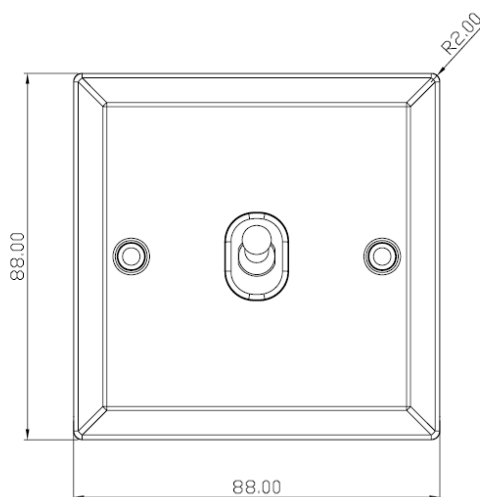


10A intermediate toggle switch



An intermediate switch is used when you have three switches controlling one light. A typical example of this is on a landing. There is a switch at the bottom of the stairs, one at top of the stairs and one at the end of the landing. On this circuit you would need the middle switch to be intermediate (i.e. the one at the top of the stairs) in order for all the switches to function properly

Colour Insert suffix:

N/A

Technical information

Dimensions (mm)	88 (width) x 88 (height) x 7.5 (projection)
Nett weight (kg)	0.161
Min. mounting depth	16mm
Voltage	230V
Load	10A
IP Rating	IP20
Terminal capacity	2 x 1.0mm ² or 2 x 1.5mm ²
Standard	BS EN 60669-1
Warranty	15 years
Construction	Premium grade steel
Origin of manufacture	China
Quality Assurance System	ISO9001
Declaration of Conformity (held on file)	Yes
EAN	5055832938163

