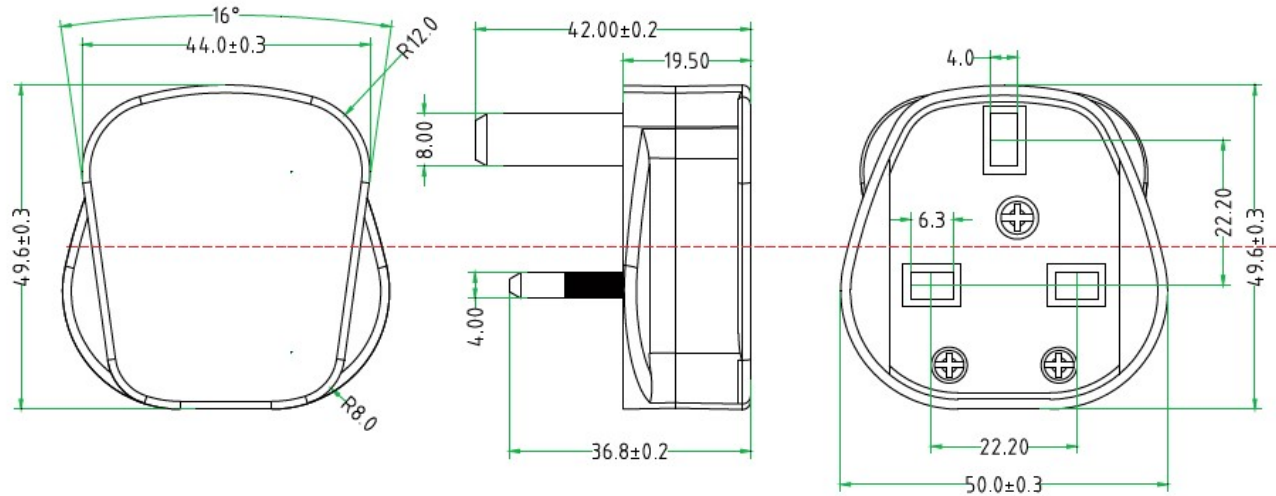


## 13A Plug Top



MLA part code	SN1381	SN1382	SN1383	SN1383BK
Description	13A Plug Top with 5A Fuse	13A Plug Top with 3A fuse	13A Plug Top with 13A fuse	13A Plug Top with 13A fuse
Finish	White			Black
Nett weight (kg)	0.03			
Fuse	5A	3A	13A	13A
Overall Dimensions (mm)	Height – 49.6 Width – 50 Projection -19.5			
IP rating	IP20			
Input voltage	Mains 230V 50Hz			
Construction	PP			
Warranty	1 Year			
Origin of Manufacture	China			
Manufactured in accordance with	BS 1363-1 (BS kite marked)			
Declaration of Conformity (held on file)	Yes			
EAN	5055832955610	5055832955641	5055832955672	5055832955702

