

INSTALLATION & MAINTENANCE MANUAL
FLRxxP



230V
50Hz

IP
65



 **RoHS**
COMPLIANT



42

GENERAL INSTRUCTIONS

These instructions should be read carefully and retained after installation by the end user for future reference and maintenance.

These instructions should be used to aid installation of the following products:

FLR10P/FLR20P/FLR30P/FLR50P

SAFETY

- Installation of this luminaire should only be carried out by a qualified electrician or competent person to the latest Building and current IEE Wiring Regulations (BS7671)
- Please isolate mains prior to installation/maintenance
- Check the total load on the circuit (including when this load is fitted) does not exceed the rating of the circuit cable, fuse or circuit breaker
- Please note the IP (Ingress of Protection) rating of this product when deciding the location for installation
- This product series is IP65 rated
- This product is Class I and must be earthed
- This product is non-dimmable
- Outdoor electrical installations should be protected by an earth leakage circuit breaker such as a residual current device (RCD). This will cut the power supply should it detect a leakage of current to earth which is potentially dangerous

INSTALLATION

- Provide power to the required point of installation
- This product has an angled bracket for ease of installation and does not need to be removed (see Fig 1)

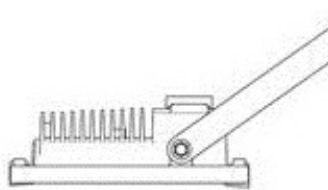


Fig 1

- Using the angled bracket as a template, mark the location of the fixing holes, and drill the holes ensuring not to infringe with any gas/water pipes or electrical cables
- Remove the four screws on the access plate at the rear of the fitting to expose the terminal block (see Fig 2)

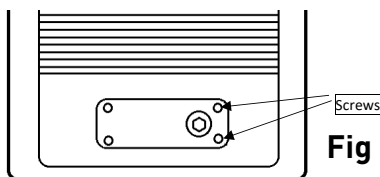


Fig 2

- Feed the cable through the compression gland on the rear of the access plate. Ensuring correct polarity is observed, carefully wire as shown in Fig 3

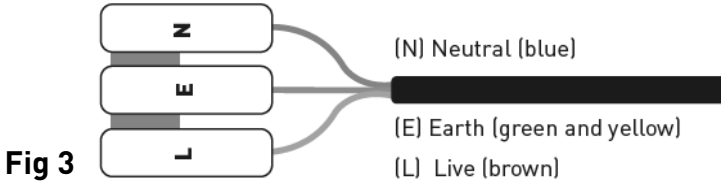


Fig 3

- Replace the access plate, gasket and screws then tighten the compression gland ensuring a tight seal to maintain the IP rating
- Switch on power supply and check for correct operation

SENSOR OPERATION

- Remove the dial cover on the rear of the sensor to access the sensor controls (see Fig 3)

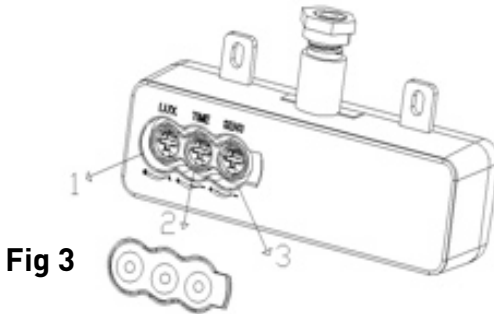
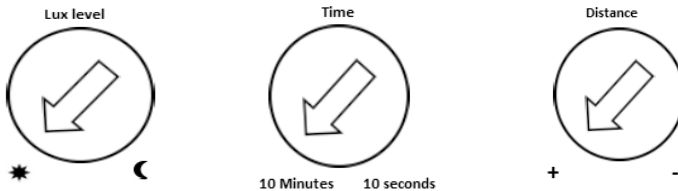


Fig 3

- Dial 1 controls the desired lux level, turn fully anti-clockwise to the moon icon to select night mode. Turn fully clockwise to the sun icon to select day mode
- Dial 2 controls the time, turn fully clockwise for the maximum 10 minutes or anti-clockwise for the minimum of 10 seconds
- Dial 3 controls the detection range, turn fully anti-clockwise for the minimum range of 4M, turn clockwise for the maximum range of 8M (based on a mounting height of 2.5M)



MANUAL OVERRIDE

To operate the manual override function when light is on switch OFF, ON, OFF, ON within 3 seconds for the light to stay on.

WARNING

This product must be disconnected from the circuit if it subjected to any high voltage or insulation resistance testing. Irreparable damage will occur if this instruction is not followed.

GENERAL

Ensure appropriate fixings are used for mounting surface.

The product should be recycled in the correct manner when it reaches the end of its life. Check local authorities for where facilities exist.

Clean with a soft dry cloth only, do not use aggressive cleaning products or solvents which may damage the product.

This product is not suitable for installation in or near a coastal or marine environment.

PIR

Before choosing a mounting point, please note the following:

PIR sensors are activated more easily by sources crossing their path, rather than approaching directly. Avoid positioning the PIR sensor facing trees, shrubbery, moving traffic, swinging objects, bright lights or sources of heat. Avoid positioning in direct sunlight as this may affect the sensitivity of the sensor. Changes in air temperature and weather can affect the sensor and occasional adjustments may be required.

WARRANTY

This product has a warranty of 3 years from date of purchase. Failure to install in accordance with the current edition of the IEE Wiring Regulations, improper use, or removal of the batch codes will invalidate the warranty. If this product should fail within its warranty period it should be returned to the place of purchase for a replacement. ML Accessories does not accept responsibility for any installation costs associated with the replacement product. Your statutory rights are not affected. ML Accessories reserve the right to alter product specification without prior notice. Warranty valid in UK and Ireland only



ML Accessories Limited
LU5 5TA
www.mlaccessories.co.uk

SBAPR18_V1