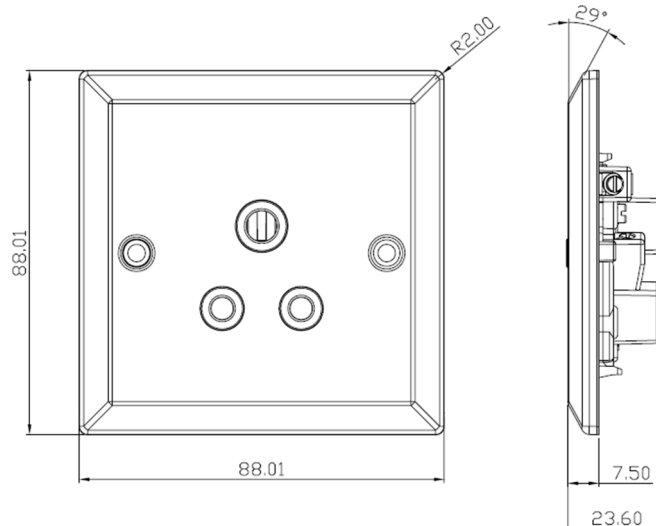


5A unswitched round pin Bevelled edge socket



5A un-switched round sockets are ideal for bespoke lighting solutions.

MLA part code	CV5APC
Description	5A un-switched round pin socket with bevelled edge
Nett weight (kg)	0.1kg
Dimensions (mm)	Width - 88 Height - 88 Projection – 7.5
Minimum mounting box depth	25mm
Finish	Polished Chrome
Input voltage	Mains 230V 50Hz
Load	5A
IP Rating	IP20
Terminal capacity	2 x 1.0mm ² , 2 x 1.5mm ² or 1 x 2.5mm ²
Manufactured in accordance with	BS 546
Warranty	15 Years
Construction	Premium grade steel
Origin of Manufacture	China
Declaration of conformity (held on file)	Yes
EAN	5055832926849

