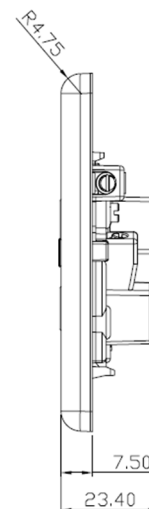
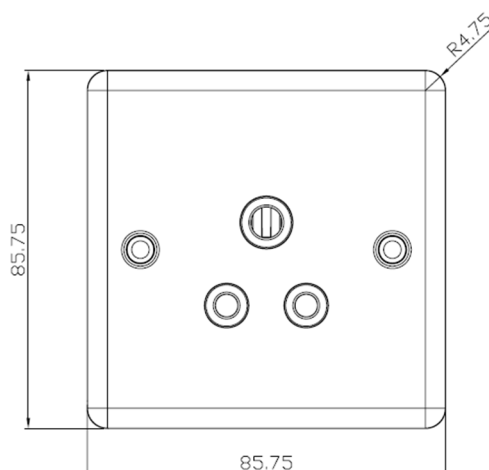


### 5A unswitched round pin decorative socket



5A un-switched round sockets are ideal for bespoke lighting solutions.

MLA part code	CL5ABC	CL5ABCG	CL5ABCW
Description	5A Unswitched Socket - Rounded Edge Brushed Chrome Finish with Black Insert	5A Unswitched Socket - Rounded Edge Brushed Chrome Finish with Grey Insert	5A Unswitched Socket - Rounded Edge Brushed Chrome Finish with White Insert
Nett weight (kg)	0.087kg		
Dimensions (mm)	Width – 85.75 Height – 85.75 Projection – 7.5		
Minimum mounting box depth	25mm		
Finish	Brushed Chrome		
Input voltage	Mains 230V 50Hz		
Load	5A		
IP Rating	IP20		
Terminal capacity	2 x 1.0mm <sup>2</sup> , 2 x 1.5mm <sup>2</sup> or 1 x 2.5mm <sup>2</sup>		
Manufactured in accordance with	BS 546		
Warranty	15 Years		
Construction	Premium grade steel		
Origin of Manufacture	China		
Declaration of conformity (held on file)	Yes		
EAN	5055832926863	5055832969143	5055832926870

