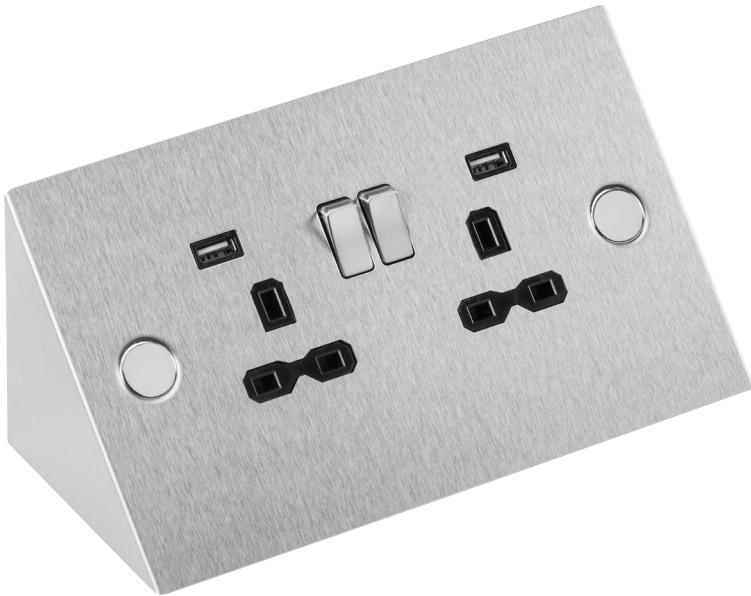


INSTALLATION & MAINTENANCE MANUAL  
**SKR002A**

---



230V  
50Hz



IP  
20

## GENERAL INSTRUCTIONS

These instructions should be read carefully and retained after installation by the end user for future reference and maintenance.

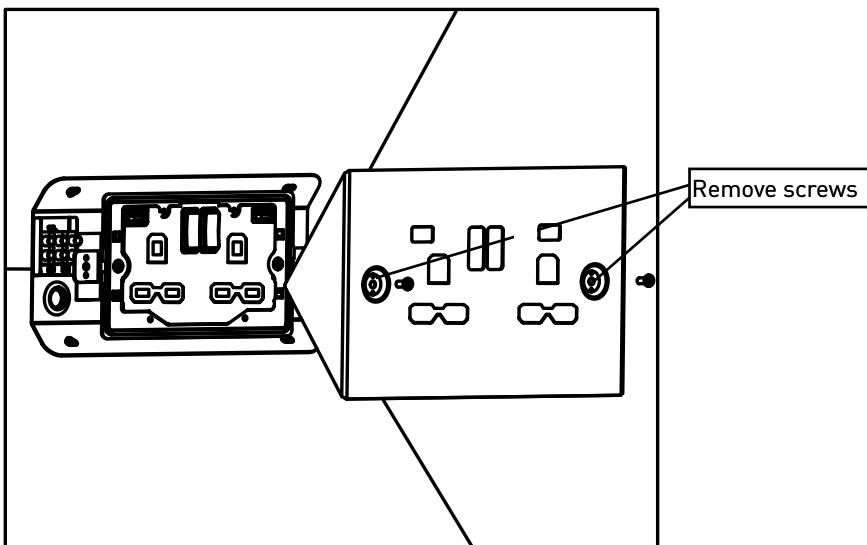
These instructions should be used to aid installation of the following product:  
**SKR002A**

## SAFETY

- Installation of this product should only be carried out by a qualified electrician or competent person to the latest Building and current IEE Wiring Regulations (BS7671)
- Please isolate mains prior to installation/maintenance
- Check the total load on the circuit (including when this product is fitted) does not exceed the rating of the circuit cable, fuse or circuit breaker
- This product is Class I and must be earthed
- For indoor use only
- Do not subject product to insulation resistance testing

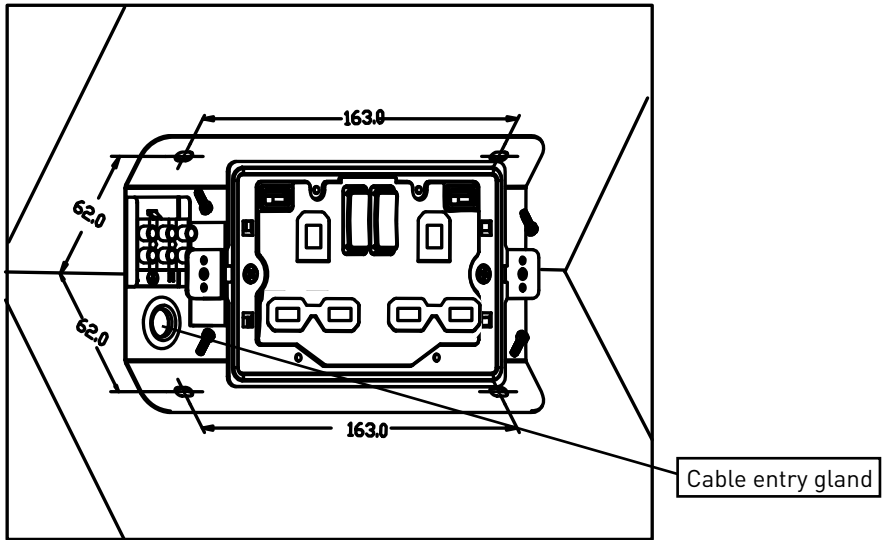
## INSTALLATION

- Provide power to the required point of installation
- Remove the two screws on the front plate to remove the plate (see Fig 1)



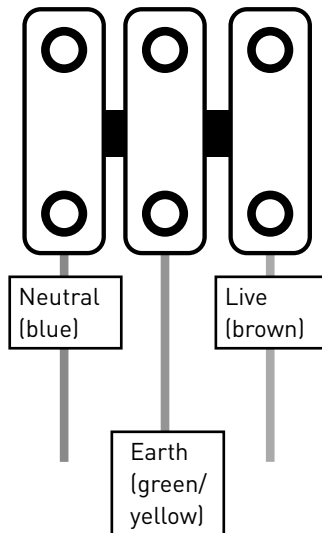
**Fig 1**

- Mark the location of the fixing holes and drill the holes ensuring not to infringe with any joists, gas/water pipes or electrical cables (see Fig 2)



**Fig 2**

- Feed through mains cable via the cable entry gland (see Fig 2)
- Connect Live (brown), Neutral (blue) and Earth (green and yellow) to the 3-way terminal block (see Fig 3)



**Fig 3**

- Reconnect face plate with the 2 screws
- Switch on power supply and check for correct operation

## WARNING

This product must be disconnected from the circuit if subjected to any high voltage or insulation resistance testing. Irreparable damage will occur if this instruction is not followed.

## GENERAL

The product should be recycled in the correct manner when it reaches the end of its life. Check local authorities for where facilities exist.

Clean with a soft dry cloth only, do not use aggressive cleaning products or solvents which may damage the fitting.

## WARRANTY

This product has a warranty of 1 year from date of purchase. Failure to install in accordance with the current edition of the IEE Wiring Regulations, improper use, or removal of the batch codes will invalidate the warranty. If this product should fail within its warranty period it should be returned to the place of purchase for a free of charge replacement. ML Accessories does not accept responsibility for any installation costs associated with the replacement product. Your statutory rights are not affected.

ML Accessories reserve the right to alter product specification without prior notice.



**ML Accessories Group Limited**  
LU5 5TA  
[www.mlaccessories.co.uk](http://www.mlaccessories.co.uk)

SBMAY18V1