

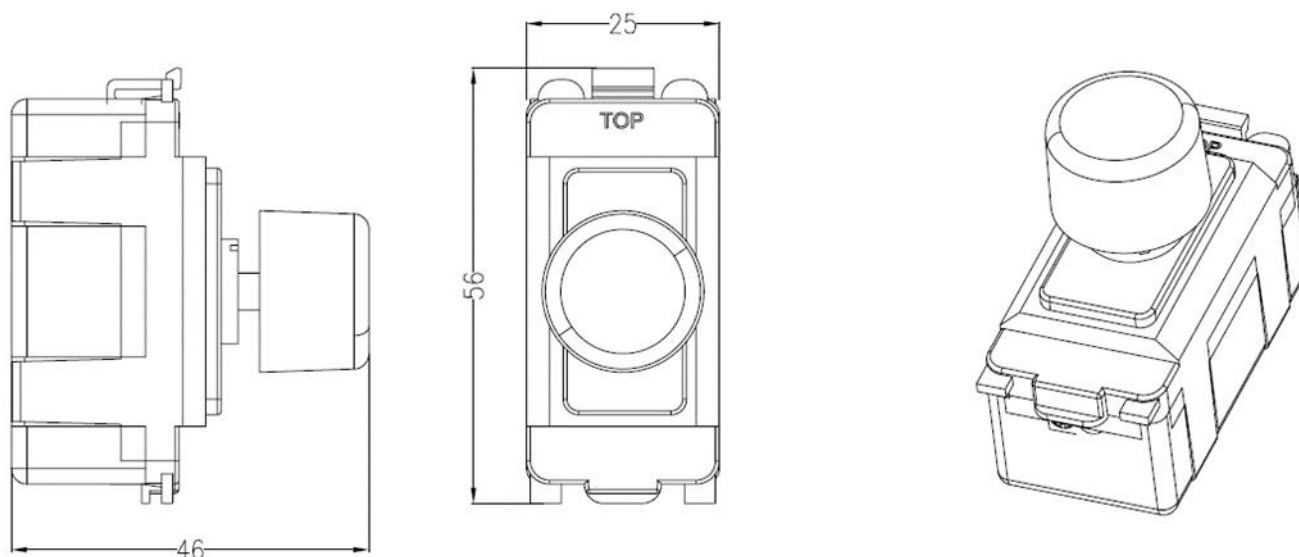
DATA SHEET:

GDM015xx Series

Knightsbridge[®]
the mark of quality

ISSUE: AKJUL18VOL2

Rotary push Dimmer



MLA part code	GDM015BC	GDM015MW	GDM015PC	GDM015U
Description	Rotary push dimmer module			
Finish	Brushed chrome	Matt white	Polished chrome	White
Nett weight (kg)	0.036	0.036	0.036	
Maximum load	Halogen / Incandescent 10 – 200W LED: 10 – 100W			
Dimming technology	Trailing edge			
Dimensions (mm)	Height – 55 Width – 25 Projection – 54			
Terminal capacity	2 x 1.5mm ²			
Input voltage	Mains 230V 50Hz			
Construction	Steel / ABS			
Minimum mounting depth (mm)	35			
IP rating	IP20			
Warranty	3 Years			
Origin of Manufacture	China			
Declaration of Conformity (held on file)	Yes			
Manufactured in accordance with	BS EN 60669-2			
EAN	5055832963998	5055832964018	5055832964025	5055832964032

