



INSTALLATION & MAINTENANCE MANUAL

EVOICF / EVOICT

GENERAL INSTRUCTIONS

These instructions should be read carefully and retained after installation by the end user for future reference and maintenance.

**These instructions should be used to aid installation of the following products:
EVOICF / EVOICT**

SAFETY

- This product must be installed in accordance with the latest edition of the IEE Wiring Regulations (BS7671) and current Building Regulations. If in any doubt, consult a qualified electrician
- Please isolate mains prior to installation or maintenance
- Check the total load on the circuit (including when this luminaire is fitted) does not exceed the rating of the circuit cable, fuse or circuit breaker
- Please note the IP (Ingress Protection) rating of this luminaire when deciding the location for installation
- If used under insulation, the insulation should be laid unbroken over the luminaire (not packed around it). Only mineral wool style insulation may be used
- This product is Class I and must be earthed
- This product series is IP20 rated (IP65 where used with optional IP65 bezel)

INSTALLATION

- Provide power to the required point of installation
- Cut a suitable hole in the mounting surface as per the cut-out details (see Fig. 1) ensuring not to infringe with any joists, gas/water pipes or electrical cables

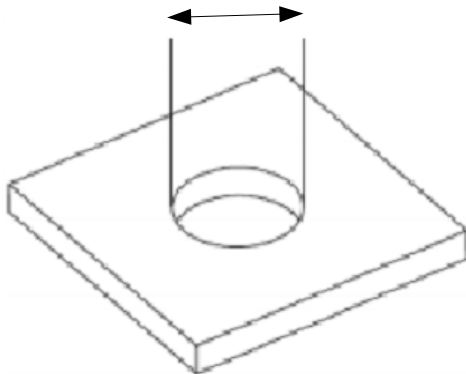


Fig. 1

Product code	Cut-out diameter
EVOICF	68mm
EVOICT	80mm

- Fold out the terminal block bracket until it locks into position (see Fig. 2)
- Remove the terminal cover with the aid of a screwdriver (see Fig. 3)

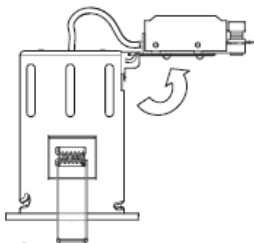


Fig. 2

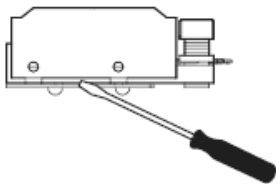


Fig. 3

- Connect the Live (brown), Neutral (blue) and Earth (green/yellow) to the push-fit terminal block ensuring the correct polarity is observed. Two cables can be inserted into the push-fit terminal block in order to achieve loop in / loop-out wiring
- Secure the mains cable under the cable clamp and refit the terminal cover
- Lift both of the spring clips on the sides of the fitting and push into the ceiling (see Fig. 4)

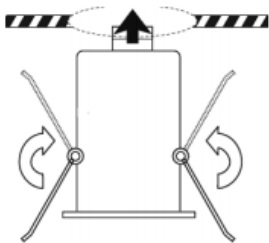


Fig. 4

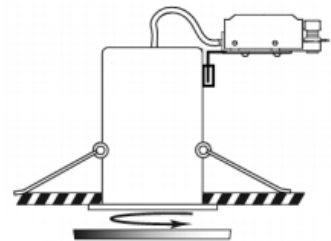


Fig. 5

- Insert a compatible GU10 lamp into the lamp holder
- Ensuring all plaster and paintwork is dry, clip the lamp into the bezel, locate the bezel lugs into the body of the fitting and rotate clockwise until it locks into position (see Fig. 5)
- When using an IP65 bezel ensure both gaskets are in place. One gasket is pre-installed with the bezel and the second gasket should be installed around the base of the fitting (see Fig. 6)

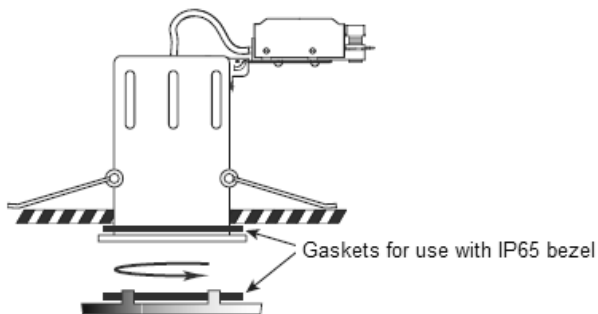


Fig. 6

- Switch on and check for correct operation

GENERAL

This product should be recycled in the correct manner when it reaches the end of its life.

Check local authorities for where facilities exist

Clean with a soft dry cloth only, do not use aggressive cleaning products or solvents which may damage the product

This product is dimmable dependent on lamp type

WARRANTY

This product has a warranty of 1 year from date of purchase. Failure to install this product in accordance with the current edition of the IEE Wiring Regulations (BS7671), improper use, or removal of the batch codes will invalidate the warranty. If this product should fail within its warranty period, it should be returned to the place of purchase for a free of charge replacement. ML Accessories does not accept responsibility for any installation costs associated with the replacement product. Your statutory rights are not affected. ML Accessories reserve the right to alter product specification without prior notice.



ML
ACCESSORIES LTD



**UK
CA** **CE**



08

ML Accessories Limited LU5 4LT
www.mlaccessories.co.uk

DCJAN21_V4