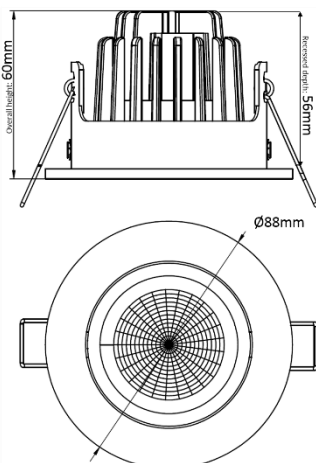


## DATASHEET



**VFRCOBWW1**  
**VFRCOBWW2**  
**VFRCOBWW3**

**230V 7W LED Tilt**  
**Fire-Rated**  
**Downlight 3000K**

[www.mlaccessories.co.uk](http://www.mlaccessories.co.uk)



MLA PART CODE	VFRCOBWW1	VFRCOBWW2	VFRCOBWW3
DESCRIPTION	230V 7W LED Tilt Fire-Rated Downlight		
FINISH	White	Chrome	Brushed Chrome
NETT WEIGHT (KG)	0.335		
DIMENSIONS (MM)	Diameter – 88 Projection – 4 Recessed Depth – 56		
CUT-OUT (MM)	74		
MINIMUM VOID (MM)	106		
TILT ANGLE	25°		
WATTAGE (W)	7		
LAMP TYPE	LED		
LUMENS (LM)	545 ±5%		
EFFICACY (LM/W)	72		
CCT	3000K		
LED COLOUR	Warm White		
CRI	>80		
CIRCUIT WATTAGE (W)	7.34		
RUNNING CURRENT (A)	0.034		
POWER FACTOR	>0.9		
BEAM ANGLE	38°		
LIFE SPAN (HRS)	30,000		
FIRE RATING (SOLID WOOD JOIST)	30/60/90 minutes		
INPUT VOLTAGE	Mains 230V 50Hz		
CONSTRUCTION	Die-cast Aluminium		
CLASS	Class II		
IP RATING	IP20		
DIMMABLE	Yes		
WARRANTY	1 year (7 years extendable for domestic use, 5 years extendable for commercial use, see website for details)		
ORIGIN OF MANUFACTURE	China		
DECLARATION OF CONFORMITY (HELD ON FILE)	Yes		
MANUFACTURED IN ACCORDANCE WITH	BS EN 60598		
EAN	5055559180678	5055559180753	5055559180777

DCJAN21\_V4