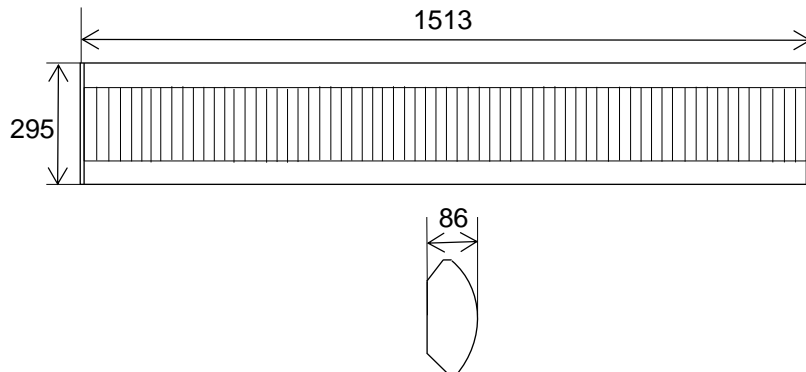


Data Specification Sheet



5FTT5WHF Surface/suspended T5 2x35W Double Parabolic Up/Down Illumination Option

ML Accessories Code	5FTT5WHF. 5FTT5WEMHF
Wattage	2x35W
Description	High Frequency T5 35W Fluorescent c/w Double Parabolic Louvre & Up Down illumination option
Finishes available	White
Overall dimensions	See above diagram
Weight	6kg (7kg EM Version)
Typical location	Indoor or Outdoor
Lamp Supplied	No
Voltage (V)	220-230V 50Hz
Class	Class I. Must be Earthed
IP	IP20
Photometric Testing	Yes
Instruction sheet	Yes
Origin of manufacture	China
Main materials:	
Body	Powder Coated Mild Steel
Method of fix	Direct to ceiling or 5FTT5KIT Suspension kit (Optional Extra)
Lamp holder cap	G5
Lamp type	T5 35W
Electrical Connections	L.E.N. Nylon Connector, Screw Terminals
Running Gear / Make /Operating Temperature	Knightsbridge H.F. Electronic ballast - 20°C to +30°C Knightsbridge H.F. Emergency 3 hour inverter (integral)
Dimmable	No
Cold Store Version -20°C	No
F mark	Yes
CE mark	Yes
Quality Assurance System	Yes ISO 9001 QMS
Batch coding details	Yes
Certificate of Conformity	Yes
Manufactured in accordance	EN60 598-2-1
Guarantee Period	1 Year